

## SLIDER DOOR

EN 14428:2015+A1:2018 (shower enclosures)

EN 12150-1:2013 (glass in building)

6mm Toughened Safety Glass

100mm Product Adjustment

1950mm Height

25mm Wall Profile Extension Available

Patented Twist + Lock Adjustment

Innovative Silent Wheel Track System

CLEANEASY Coating

Reversible

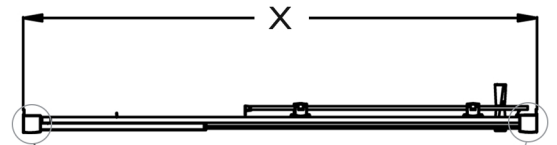
Sleek Chrome Plated Door Handles

Suitable Side Panel Installation

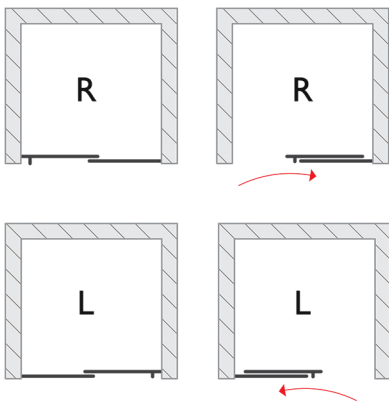
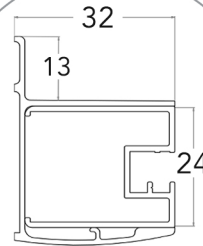
20 Year Guarantee Against Manufacturing Defects\*



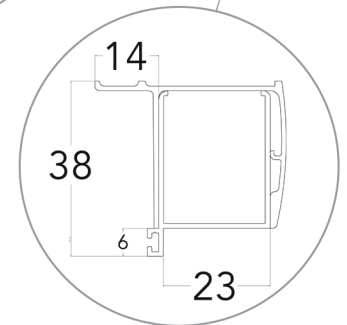
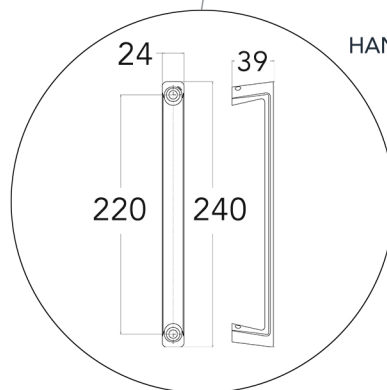
(MEASUREMENTS IN MM)



PROFILE  
(OPPOSITE HANDLE SIDE)



HANDLE



PROFILE  
(HANDLE SIDE)

## SPECIFICATIONS

PRODUCT SIZE	ADJUSTMENT X (min - max)	ACCESS	PRODUCT WEIGHT	PRODUCT CODE SILVER
1000mm	940 - 1000mm	365mm	32.00kg	STSA100SC
1100mm	1040 - 1100mm	428mm	35.00kg	STSA110SC
1200mm	1140 - 1200mm	478mm	38.00kg	STSA120SC
1300mm	1200 - 1300mm	528mm	41.00kg	STSA130SC
1400mm	1300 - 1400mm	578mm	44.00kg	STSA140SC
1500mm	1400 - 1500mm	628mm	49.00kg	STSA150SC

+353 42 966 8000 | [flairshowers.com](http://flairshowers.com) | [sales@flairshowers.com](mailto:sales@flairshowers.com)

All data presented may be subjected to change without prior notice. Flair Showers does the best it can to provide accurate information. Flair Showers unfortunately cannot guarantee this, and accept no liability for any information / advice given.

\* Excludes perishable items such as rollers, seals, hinges, etc.

